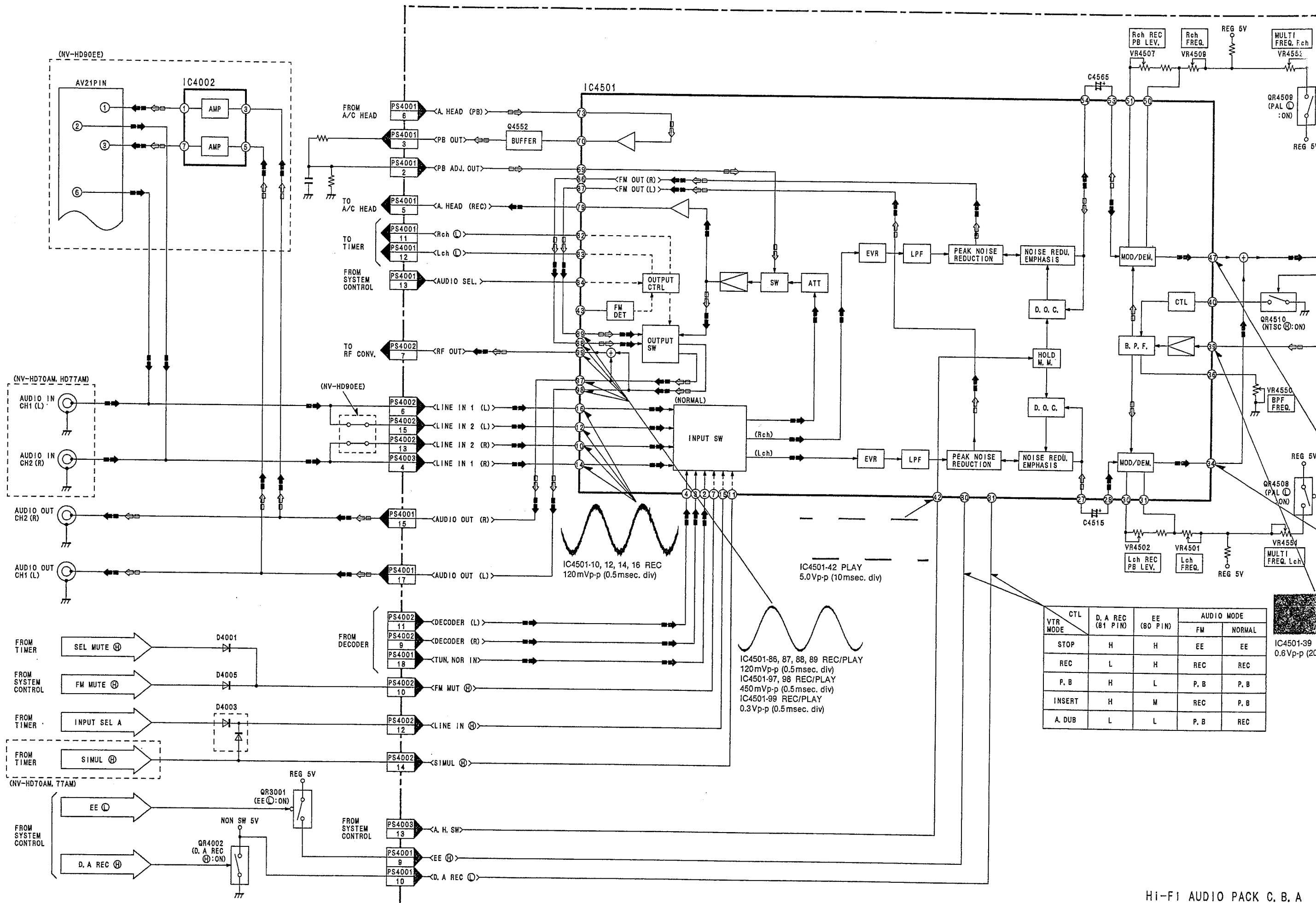
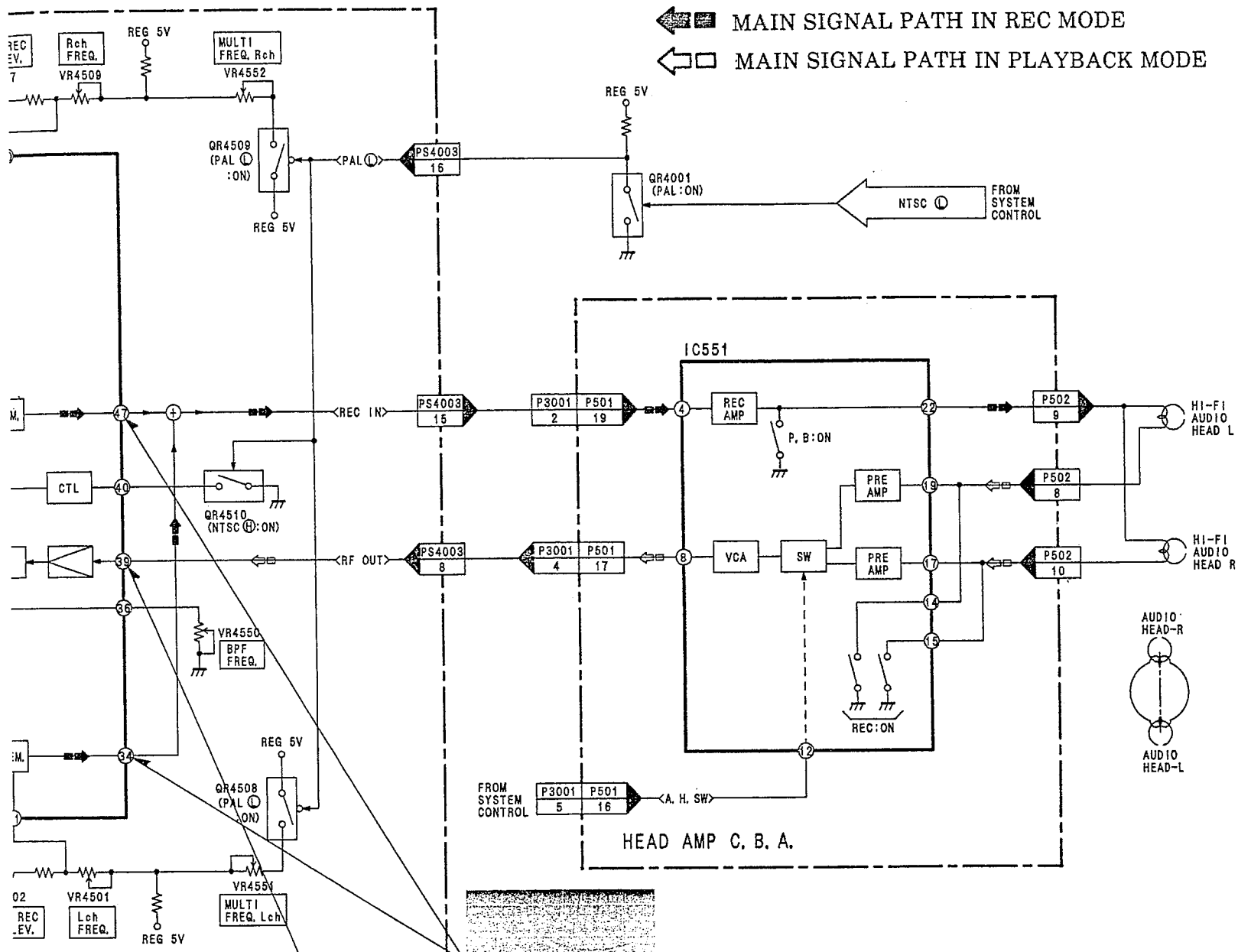


3-5. Hi-Fi AUDIO BLOCK DIAGRAM





EE (80 PIN)	AUDIO MODE	
	FM	NORMAL
H	EE	EE
H	REC	REC
L	P. B	P. B
M	REC	P. B
L	P. B	REC

IC4501-34 REC
 0.4Vp-p (20μsec. div)
 IC4501-47 REC
 0.3Vp-p (20μsec. div)

IC4501-39 PLAY
 0.6Vp-p (20μsec. div)

HI-FI AUDIO PACK C. B. A.

SYMBOL	TRUTH VALUE TABLE																		
INVERTER 	<table border="1"> <tr> <td>IN</td> <td>(a)</td> <td>H</td> <td>L</td> </tr> <tr> <td>OUT</td> <td>(b)</td> <td>L</td> <td>H</td> </tr> </table>	IN	(a)	H	L	OUT	(b)	L	H										
IN	(a)	H	L																
OUT	(b)	L	H																
COMPARTOR 	<table border="1"> <tr> <td>IN</td> <td>(a)</td> <td>(a) > (b)</td> <td>(a) < (b)</td> </tr> <tr> <td>OUT</td> <td>(c)</td> <td>H</td> <td>L</td> </tr> </table>	IN	(a)	(a) > (b)	(a) < (b)	OUT	(c)	H	L										
IN	(a)	(a) > (b)	(a) < (b)																
OUT	(c)	H	L																
AND CIRCUIT 	<table border="1"> <tr> <td rowspan="2">IN</td> <td>(a)</td> <td>L</td> <td>L</td> <td>H</td> <td>H</td> </tr> <tr> <td>(b)</td> <td>L</td> <td>H</td> <td>L</td> <td>H</td> </tr> <tr> <td>OUT</td> <td>(c)</td> <td>L</td> <td>L</td> <td>L</td> <td>H</td> </tr> </table>	IN	(a)	L	L	H	H	(b)	L	H	L	H	OUT	(c)	L	L	L	H	
IN	(a)		L	L	H	H													
	(b)	L	H	L	H														
OUT	(c)	L	L	L	H														
OR CIRCUIT 	<table border="1"> <tr> <td rowspan="2">IN</td> <td>(a)</td> <td>L</td> <td>L</td> <td>H</td> <td>H</td> </tr> <tr> <td>(b)</td> <td>L</td> <td>H</td> <td>L</td> <td>H</td> </tr> <tr> <td>OUT</td> <td>(c)</td> <td>L</td> <td>H</td> <td>H</td> <td>H</td> </tr> </table>	IN	(a)	L	L	H	H	(b)	L	H	L	H	OUT	(c)	L	H	H	H	
IN	(a)		L	L	H	H													
	(b)	L	H	L	H														
OUT	(c)	L	H	H	H														
THREE STATES BUFFER 	<table border="1"> <tr> <td rowspan="2">IN</td> <td>(a)</td> <td>H</td> <td>L</td> <td>H or L</td> </tr> <tr> <td>(b)</td> <td>L</td> <td>L</td> <td>H</td> </tr> <tr> <td>OUT</td> <td>(c)</td> <td>H</td> <td>L</td> <td>※</td> </tr> </table> <p>※ High Impedance</p>	IN	(a)	H	L	H or L	(b)	L	L	H	OUT	(c)	H	L	※				
IN	(a)		H	L	H or L														
	(b)	L	L	H															
OUT	(c)	H	L	※															
TR. SW (NPN TYPE) 	<table border="1"> <tr> <td>BASE</td> <td>H</td> <td>L</td> </tr> <tr> <td>TR. SW</td> <td>ON</td> <td>OFF</td> </tr> </table>	BASE	H	L	TR. SW	ON	OFF												
BASE	H	L																	
TR. SW	ON	OFF																	
TR. SW (PNP TYPE) 	<table border="1"> <tr> <td>BASE</td> <td>H</td> <td>L</td> </tr> <tr> <td>TR. SW</td> <td>OFF</td> <td>ON</td> </tr> </table>	BASE	H	L	TR. SW	OFF	ON												
BASE	H	L																	
TR. SW	OFF	ON																	
R-S TYPE FLIP-FLOP 	<table border="1"> <tr> <td rowspan="2">IN</td> <td>(a)</td> <td>L</td> <td>L</td> <td>⌋</td> </tr> <tr> <td>(b)</td> <td>L</td> <td>⌋</td> <td>L</td> </tr> <tr> <td rowspan="2">OUT</td> <td>(c)</td> <td>※</td> <td>L</td> <td>H</td> </tr> <tr> <td>(d)</td> <td>◆</td> <td>H</td> <td>L</td> </tr> </table> <p>※ Initial condition is maintained. ◆ Initial condition is reversed.</p>	IN	(a)	L	L	⌋	(b)	L	⌋	L	OUT	(c)	※	L	H	(d)	◆	H	L
IN	(a)		L	L	⌋														
	(b)	L	⌋	L															
OUT	(c)	※	L	H															
	(d)	◆	H	L															